



GAST MANUFACTURING, INC.  
 A Unit of IDEX Corporation  
 Post Office Box 97  
 Benton Harbor, Michigan  
 Ph: 269/926-6171  
 Fax: 269/925-8288

PART NUMBER: LTD146

REVISION: E

Product Specifications

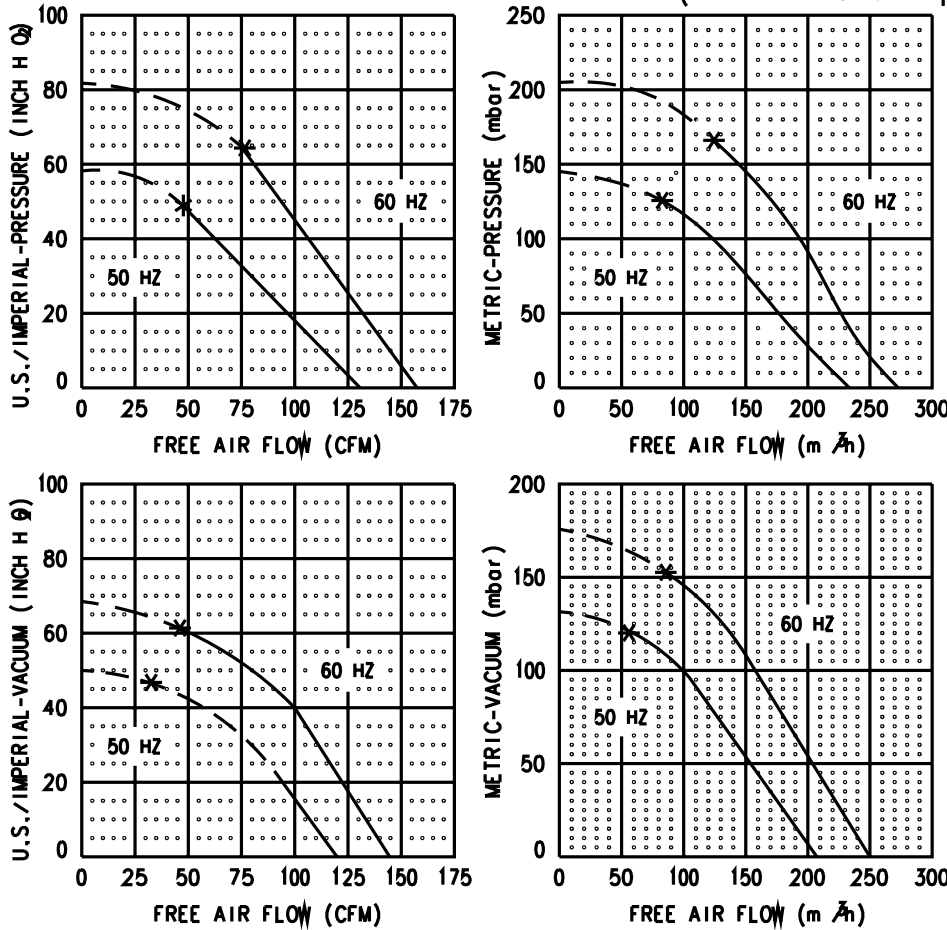
MODEL NUMBER	MOTOR SPECIFICATIONS	RPM	MAX VAC		MAX PRESS		HP	kW	NET WT.	
			"H <sub>2</sub> O	mbar	"H <sub>2</sub> O	mbar			lbs.	kg
R5125-2	110/220-240-50-1	2850	47	117	50	125	1.85	1.38	76	34,5
	115/208-230-60-1	3450	60	149	65	162	2.5	1.86		

SOUND LEVEL 75/73 dB(A) MAX. 60/50 Hz  
 NORMAL AMBIENT -29°C TO 40°C  
 RELATIVE HUMIDITY 0% - 100% NON CONDENSING  
 ENVIRONMENT CLEAN DUST FREE

TECHNICAL DATA SUBJECT TO CHANGE WITHOUT NOTICE

\* = RECOMMENDED MAXIMUM DUTY  
 --- INTERMITTENT DUTY ONLY

Product Performance (Metric U.S. Imperial)



PERFORMANCE DATA  
 THE PERFORMANCE DATA SHOWN WAS DETERMINED UNDER THE FOLLOWING CONDITIONS:

LINE VOLTAGE 60 Hz, 230V OR 460V FOR 3 PHASE UNITS, 115V OR 230V FOR 1 PHASE UNITS.

LINE VOLTAGE 50 Hz, 220V FOR 3 PHASE OR 1 PHASE UNITS.

UNITS IN A TEMPERATURE STABLE CONDITION.

DELIVERY MEASUREMENTS MADE WITH OUTPUT PORT THROTTLED.

SUCTION MEASUREMENTS MADE WITH INPUT PORT THROTTLED.

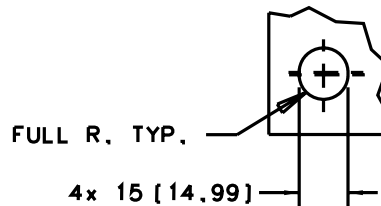
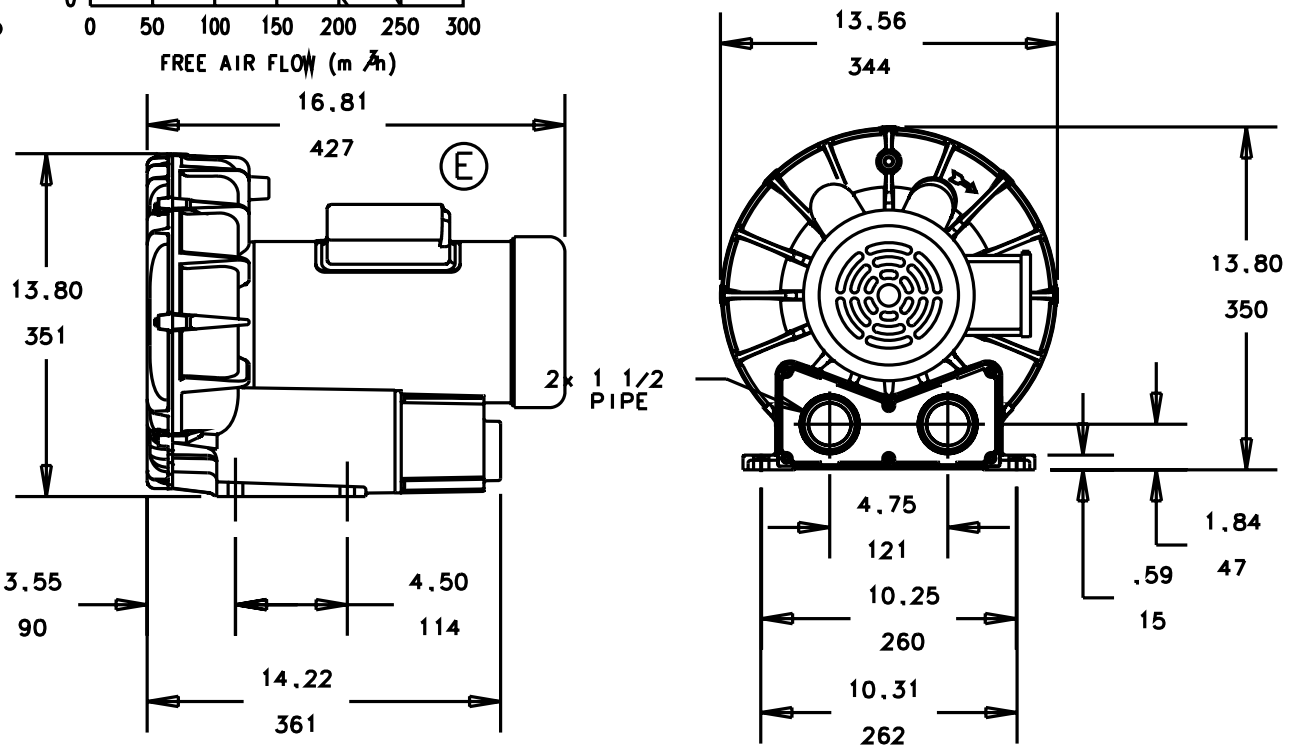
TEST CONDITIONS: INLET AIR DENSITY 0.075 lbs. per cu. ft. [20°C (68°F), 29.92" Hg (14.7 PSIA)].

NORMAL PERFORMANCE VARIATIONS ON THE RESISTANCE CURVE WITHIN ±10% OF SUPPLIED DATA CAN BE EXPECTED.

LOW VOLTAGE  
 P1 — LINE  
 P2 — TIE TOGETHER AND INSULATE  
 T3 — TIE TOGETHER AND INSULATE  
 T2 — LINE  
 T4 — LINE

HIGH VOLTAGE  
 P1 — LINE  
 P2 — INSULATE  
 T3 — TIE TOGETHER AND INSULATE  
 T2 — TIE TOGETHER AND INSULATE  
 T4 — LINE

WIRING DIAGRAM



MOUNTING HOLE DETAIL (4)