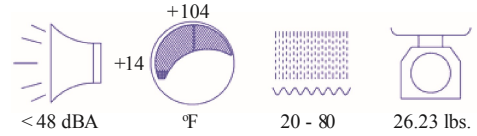


# SEPTIC SEWAGE PUMPS

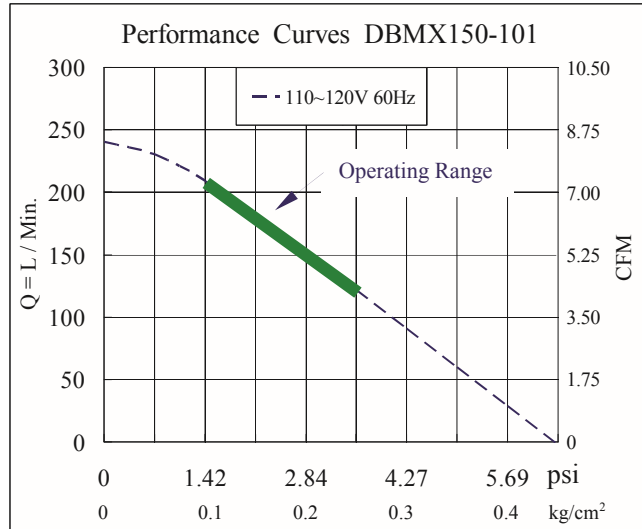
A Division of Southwestern Controls

## Model No. DBMX150-101

Performance / Rendimiento / Prestanda

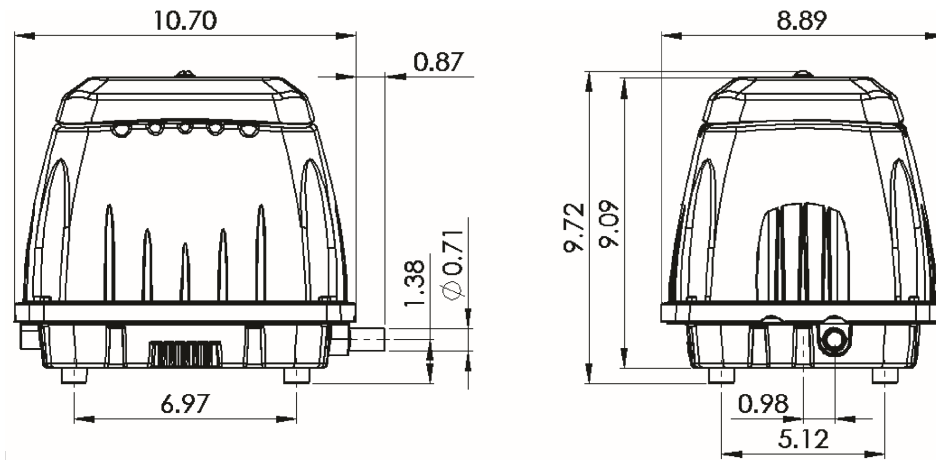


★ Allowance :  $\pm 5\%$



Output Pressure

Dimensions / Dimensioner (in)



Operating Range : 1.4 to 3.6 psi

Model No.	Voltage (VAC)	Frequency (HZ)	Rated Pressure (psi)	Airflow (LPM)	AMP (A)	WATT (W)
DBMX150-101	110 ~ 120	60	2.84	150	2.6	160

**SEPTIC SEWAGE PUMPS**  
A Division of Southwestern Controls

Tel: 1-800-292-9087

Web: [www.septicsewagepumps.com](http://www.septicsewagepumps.com)