



# 350 General Purpose Filters Installation and Maintenance

**MASTER PNEUMATIC, INC.**

6701 -18 Mile Rd. | Sterling Heights, MI 48314 | Phone: (586) 254-1000 | Fax: (586) 254-6055 | Email: mp@masterpneumatic.com

## SAMPLE PRODUCT NUMBERS:

F350-2, 3, 4  
F5A350-2, 3, 4  
BF350-2, 3, 4  
BF5A350-2, 3, 4  
BF6A350-2, 3, 4

## THANK YOU!

You have just purchased a quality Filter from Master Pneumatic.

With care in its installation and maintenance, you can expect it to have a long and economical service life. Before you go any further, please take a few minutes to look over this information, then save it for future reference and for the useful service information it contains.



## Installation & Operation Procedures

**NOTE:** Read Warning Stuffer STU-A019 included in box with product before proceeding.

### INSTALLATION:

1. Depressurize and lockout air pressure.
2. Upstream pipes must be free of excessive dirt and liquids.
3. Install the Filter as near as possible to the device it is to serve.
4. Install the Filter so that air flows in direction of arrow on Filter Cap (#1).
5. The Filter must be installed vertically with drain knob at the bottom.
6. Filter should be installed upstream of any Regulators or Lubricators in the airline.
7. If installing using modular clamp connections A118-105 or A118-105M, torque screws 30-40 in-lbs.

### OPERATION:

1. For Manual Drain models: Periodically drain to discharge accumulated liquids by turning Drain Knob (#14) clockwise. Return to full counter-clockwise position.
2. For Float Drain Models: Filter may be drained manually by turning Drain Knob (#14) clockwise until bowl drains. Return to full counter-clockwise position for automatic drain operation.
3. To install 3/16 I.D. flexible tubing, push Drain Knob (#14) up to expose the Drain Clip (#15). Remove the Drain Clip (#15) and Drain Knob (#14). Push tubing on Stem (#16). A tube clamp or zip tie should be used to retain tubing on drain stem.
4. Replace Plastic Bowls with Metal if any signs of crazing or cracking are observed.
5. Replace Element when dirty. If pressure differential reaches 8 psid, element MUST be replaced.

### TO CLEAN OR REPAIR:

1. Depressurize and lockout air pressure.
2. Remove Plastic Bowl Assembly (#10 Section View 2) by turning Shatterguard (#9 Section View 2) counter-clockwise. Or remove Metal Bowl Assembly (#10 Section View 1) by turning counter-clockwise.
3. Remove Bowl Baffle (#8) by turning counter-clockwise.
4. The Filter Element (#5) can now be removed. Do Not clean elements, they must be replaced. Sintered Bronze elements may be cleaned by soaking several hours in soap and water, then blowing them out in reverse direction to normal flow with clean, dry compressed air.
5. To service Internal Float or Manual Drain: Turn Drain Knob (#14) counter-clockwise until it stops, then push Drain Knob (#14) up to expose Drain Clip (#15). Remove Drain Clip (#15) and pull off Drain Knob (#14).
6. Remove Drain Nut (#13) by turning counter-clockwise. The Internal Float Drain can now be removed from Bowl and disassembled.
7. The Internal Float or Manual Drain and Bowl can now be cleaned.
8. When re-assembling, be sure all o-rings are correctly located. Lubricate o-rings with Lithium grease. Torque Bowl Baffle (#8) hand tight. Torque Drain Nut (#13) 5-15 in-lbs. The Shatterguard (#9 Section View 2) and Metal Bowl (#10 Section View 1) should be torqued to 75-125 in-lb., and tab must be within notch as shown in Fig 1 and 2.
9. If the Filter cannot be repaired by cleaning with soap and water the parts should be replaced.



# 350 General Purpose Filters Installation and Maintenance

MASTER PNEUMATIC, INC.

6701 -18 Mile Rd. | Sterling Heights, MI 48314 | Phone: (586) 254-1000 | Fax: (586) 254-6055 | Email: mp@masterpneumatic.com

## Section View 1 Metal Bowl

KEY	DESCRIPTION
1	Filter Cap
2	Filter Head
3	O-Ring
4	Head Baffle
5	Element
6	Valve Retainer
7	Element Cap
8	Bowl Baffle
10	Metal Bowl
11	Internal Float Drain
12	Manual Drain
13	Drain Nut
14	Drain Knob
15	Drain Clip
16	Drain Stem

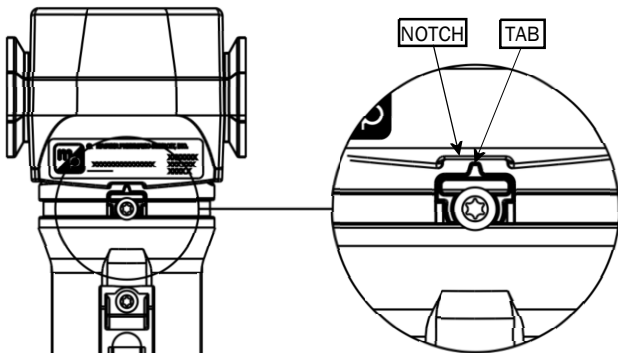
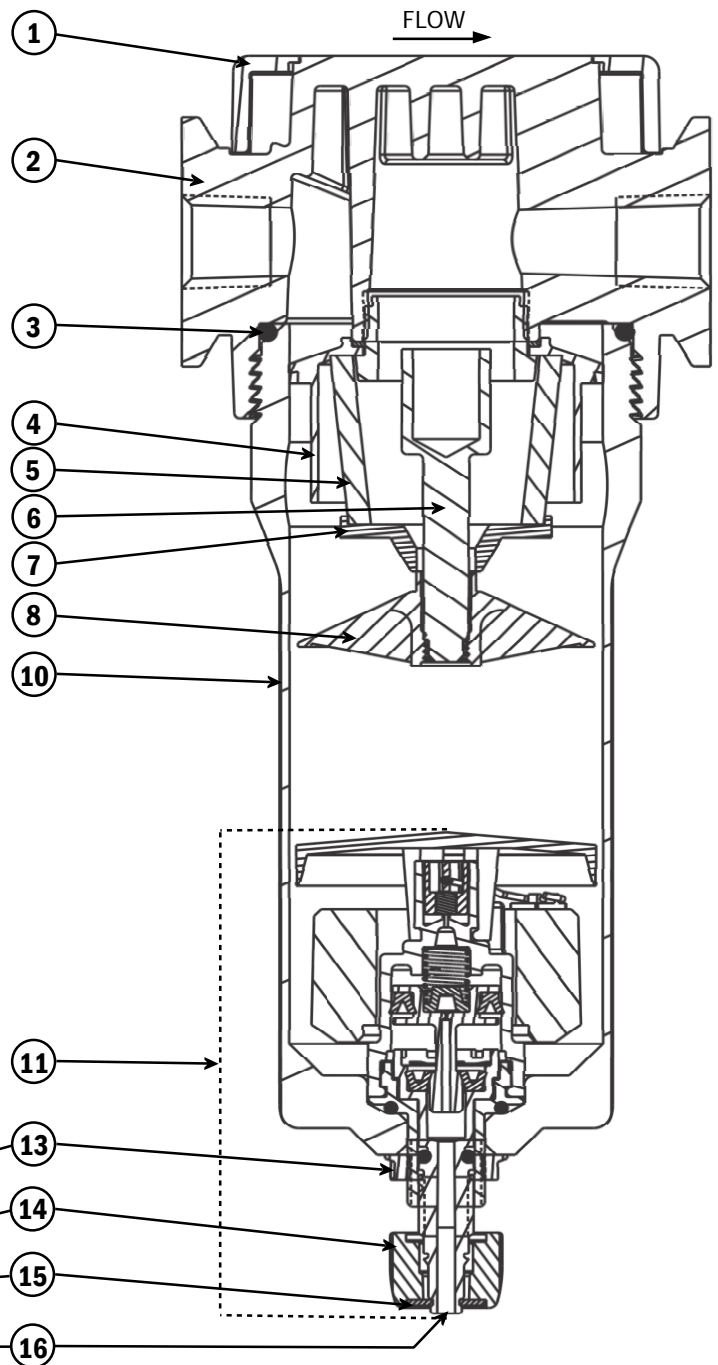
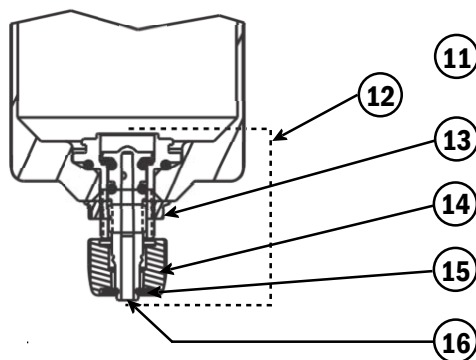


FIG. 1





# 350 General Purpose Filters Installation and Maintenance

**MASTER PNEUMATIC, INC.**

6701 -18 Mile Rd. | Sterling Heights, MI 48314 | Phone: (586) 254-1000 | Fax: (586) 254-6055 | Email: mp@masterpneumatic.com

## Section View 2 Plastic Bowl

KEY	DESCRIPTION
1	Filter Cap
2	Filter Head
3	O-Ring
4	Head Baffle
5	Element
6	Valve Retainer
7	Element Cap
8	Bowl Baffle
9	Shatterguard
10	Plastic Bowl
11	Internal Float Drain
12	Manual Drain
13	Drain Nut
14	Drain Knob
15	Drain Clip
16	Drain Stem

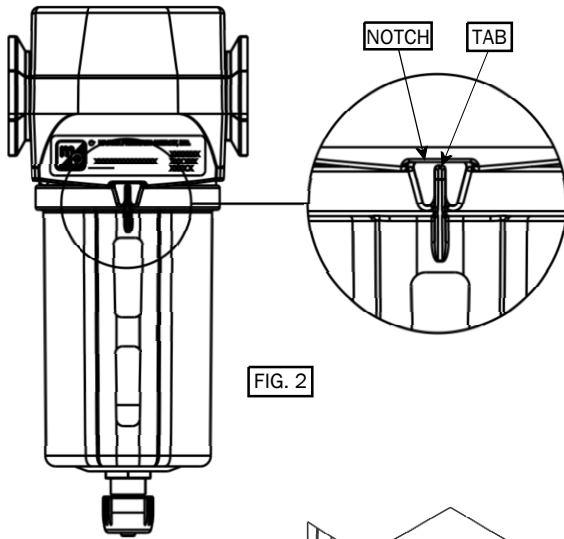
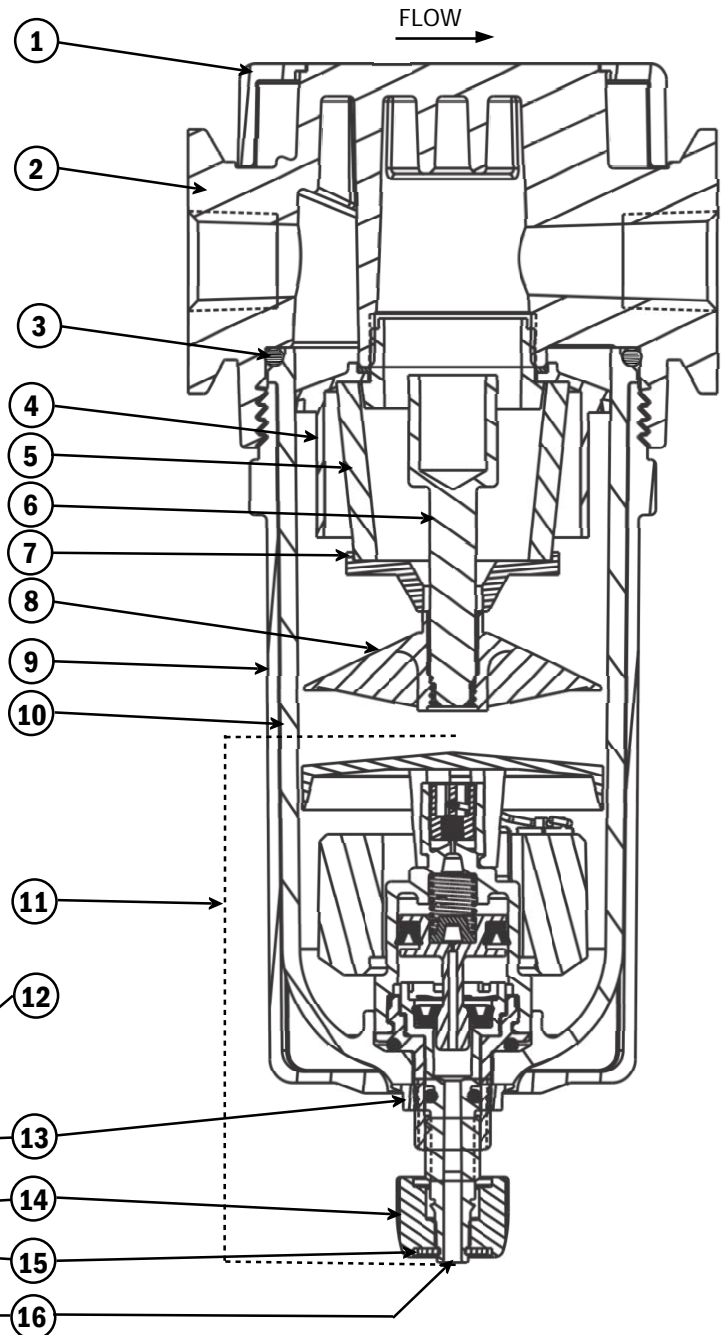


FIG. 2





# 350 General Purpose Filters Installation and Maintenance

**MASTER PNEUMATIC, INC.**

6701-18 Mile Rd. | Sterling Heights, MI 48314 | Phone: (586) 254-1000 | Fax: (586) 254-6055 | Email: mp@masterpneumatic.com

## Replacement Parts and Mounting Accessories

PART NUMBER	DESCRIPTION
<b>Element Kits</b>	
A60F-03PE5	5 um Polyethylene Standard Element Kit (Element, Gasket & O-Ring)
A60F-03E5	5 um Bronze Element Kit (Element, Gasket & O-Ring)
A60F-03E4	20 um Bronze Element Kit (Element, Gasket & O-Ring)
A60F-03E3	40 um Bronze Element Kit (Element, Gasket & O-Ring)
<b>Replacement Bowl with Drain Kits</b>	
AF125-02	Plastic Bowl Manual Drain Assembly (Plastic Bowl, Shatterguard, Manual Drain, Nut, Knob, Clip & O-rings)
AF5A125-02	Plastic Bowl Internal Float Drain Assembly (Plastic Bowl, Shatterguard, Float Drain, Nut, Knob, Clip & O-rings)
ABF125-03	Metal Bowl Manual Drain Assembly (Metal Bowl, Manual Drain, Nut, Knob, Clip & O-rings)
ABF5A125-03	Metal Bowl Plastic Stem Internal Float Drain Assembly (Metal bowl, Float Drain, Nut, Knob, Clip & O-rings)
ABF6A125-03	Metal Bowl Brass Stem Internal Float Drain Assembly (Metal Bowl, Brass Stem Float Drain, Nut, Knob, Clip & O-rings)
<b>Drain Kits</b>	
A802-32	Manual Drain Assembly (Manual Drain, Nut, Knob, Clip & O-rings)
A802-42	Float Drain Assembly (Float Drain, Nut, Knob, Clip & O-rings)
A802-49	Brass Stem Float Drain Assembly (Brass Stem Float Drain, Nut, Knob, Clip & O-rings )
<b>Mounting Brackets</b>	
A118-103	Modular Bracket and Screw for adding bracket to existing connecting clamps
A118-105M	Modular Connections and Bracket Kit (Modular connecting clamps, o-ring, screws and bracket)
UMB-2	Bracket for 1/4" piped units (U-bolt, bracket, nut and locking washer)
UMB-3	Bracket for 3/8" piped units (U-bolt, bracket, nut and locking washer)
UMB-4	Bracket for 1/2" piped units (U-bolt, bracket, nut and locking washer)