



PSC 4 Pole AC

50 psi max. pressure, 24 inHg max. vacuum,
.52 CFM open flow (60 Hz)

PSC 2 Pole AC

50 psi max. pressure, 24 inHg max. vacuum,
.80 CFM open flow (60 Hz)

DC Low Speed DC

50 psi max. pressure, 24 inHg max. vacuum,
.56 CFM open flow

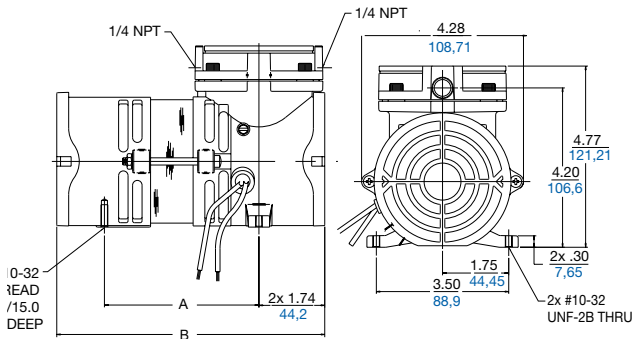
High Speed DC

50 psi max. pressure, 24 inHg max. vacuum,
.81 CFM open flow

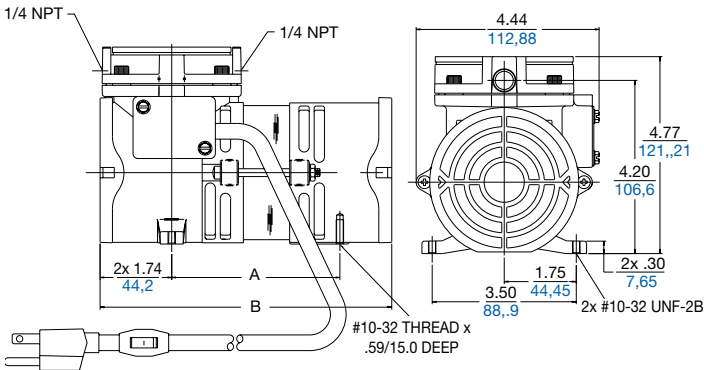
Product Dimensions (inches, mm)

Reference only

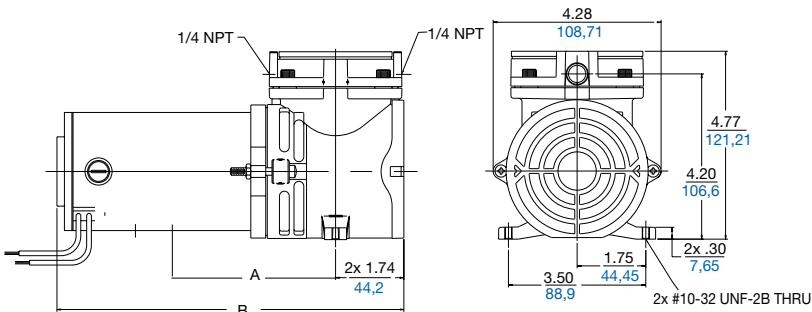
AC Models



AC Models (+ with electrical box)



DC Models



PRODUCT FEATURES

- Oilless operation
- Motor-mounted
- Rugged construction
- Low maintenance

INCLUDES

- Capacitors for PSC motors: AG331 (FB, HB, and HD motors), AF873A (FD motor)

RECOMMENDED ACCESSORIES

- Pressure gauge AF583 / Vacuum gauge AA640
- Pressure relief valve AF887 / Vacuum relief valve AA550C-V
- Rubber feet AG505
- Repair kit K309 for all diaphragm units but MOA-P109-AA, which uses Repair kit K309A

	A Dimension		B Dimensions	
	Inches	Metric	Inches	Metric
MOA-P101-AA	4.09	103,89	7.09	180,09
+MOA-P109-AA	4.09	103,89	7.09	180,09
MOA-V112-AE	4.09	103,76	7.09	180,09
+MOA-V113-AE	4.09	103,89	7.09	180,09
MOA-P101-CA	4.59	116,59	7.59	192,79
+MOA-P109-CA	4.59	116,59	7.59	192,79
MOA-P101-CD	4.59	116,59	7.59	192,79
MOA-V111-CD	4.59	116,59	7.59	192,79
MOA-P108-FB	4.09	103,89	7.09	180,09
MOA-V112-FB	4.09	103,89	7.09	180,09
MOA-P108-FD	4.09	103,89	7.09	180,09
MOA-V112-FD	4.09	103,89	7.09	180,09
MOA-P108-HB	4.59	116,59	7.59	192,79
MOA-P108-HD	4.59	116,59	7.59	192,79
MOA-P101-JH	4.16	105,66	8.84	224,54
MOA-V111-JH	4.16	105,66	8.84	224,54
MOA-P101-JK	4.16	105,66	8.84	224,54
MOA-V111-JK	4.16	105,66	8.84	224,54
MOA-V111-KH	4.16	105,66	8.76	222,50
MOA-P101-KH	4.16	105,66	8.76	222,50

+ with electrical box

Product Specifications

Model Number	Motor	Motor Type	RPM			HP	kW	Net Weight		Regulatory
			60 Hz	50 Hz				lbs	kg	
MOA-P101-AA	115-60-1	Shaded Pole	1575	-----	1/16	0,05	5.63	2,56	cUR/CE	
MOA-P101-CA	115-60-1	Shaded Pole	1575	-----	1/16	0,05	5.63	2,56	cUR	
MOA-P101-CD	220/230-50/60-1	Shaded Pole	1575	1275	1/16	0,05	5.63	2,56	CSA/CE	
MOA-P101-JH	12 Volt	DC		1800	1/16	0,05	5.63	2,56	CE	
MOA-P101-KH	12 Volt	DC		3000	1/8	0,09	5.63	2,56	CE	
MOA-P101-JK	24 Volt	DC		1800	1/16	0,05	5.63	2,56	CE	
**MOA-P108-FB	110/115-50/60-1	PSC (2 Pole)	3000	2500	1/8	0,09	5.63	2,56	CE	
**MOA-P108-FD	220/230-50/60-1	PSC (2 Pole)	3000	2500	1/8	0,09	5.63	2,56	CSA/CE	
**MOA-P108-HB	110/115-50/60-1	PSC (4 Pole)	1575	1275	1/16	0,05	5.63	2,56	cUR/CE	
**MOA-P108-HD	230/220-60/50-1	PSC	1575	1275	1/16	0,05	5.63	2,56	CSA/CE	
*MOA-P109-AA	115-60-1	Shaded Pole	1575	-----	1/16	0,05	5.63	2,56	UR/CSA	
*MOA-P109-CA	115-60-1	Shaded Pole	1575	-----	1/16	0,05	5.63	2,56	UR	
MOA-V111-JH	12 Volt	DC		1800	1/16	0,05	5.63	2,56		
MOA-V111-KH	12 Volt	DC		3000	1/8	0,09	5.63	2,56	CE	
MOA-V111-JK	24 Volt	DC		1800	1/16	0,05	5.63	2,56	CE	
MOA-V111-CD	220/230-50/60-1	Shaded Pole	1575	1275	1/16	0,05	5.63	2,56	CSA/CE	
MOA-V112-AE	110/115-50/60-1	Shaded Pole	1575	1275	1/16	0,05	5.63	2,56	CSA/CE	
**MOA-V112-FB	110/115-50/60-1	PSC (2 Pole)	3000	2500	1/8	0,09	5.63	2,56	CSA	
**MOA-V112-FD	220/230-50/60-1	PSC (2 Pole)	3000	2500	1/8	0,09	5.63	2,56	CSA/CE	
*MOA-V113-AE	110/115-50/60-1	Shaded Pole	1575	1275	1/16	0,05	5.63	2,56	CSA	

* Cord, switch and plug assembly

** Capacitor shipped with unit - not attached

CSA – Approved by the Canadian Standards Association

cUR – UL recognized for use in Canada and US

CNL – UL listed for use in Canada and US

CE – Conforms to European Standards

UL – UL Listed for US

UR – UL recognized for US

Product Performance

