

DC Motor

25 psi max. pressure, 22.5 inHg max. vacuum
26.8 LPM open flow

PRODUCT FEATURES

- Permanently lubricated ball bearings on rod and motor drive bearing
- Rear sleeve bearing (1002, 1005 models have ball bearing for higher pressure)
- Field service capability
- Includes AJ988 filter assembly, unattached

MATERIALS OF CONSTRUCTION

- Head assembly and bracket made of Polyphenylene Sulfide (PPS) for excellent chemical and heat resistance
- Stainless steel valves
- Neoprene/nylon diaphragm standard
- Other diaphragm materials available

RECOMMENDED ACCESSORIES

- AA640 Vacuum gauge
- AA204 Vacuum relief valve
- AA644B Pressure gauge
- AA203 Pressure relief valve
- AF584A Rubber feet (3)
- B300Q Muffler/filter (high capacity; to be used in dirty environments or when superior noise reduction is required)

Product Dimensions (inches, mm)

Reference only

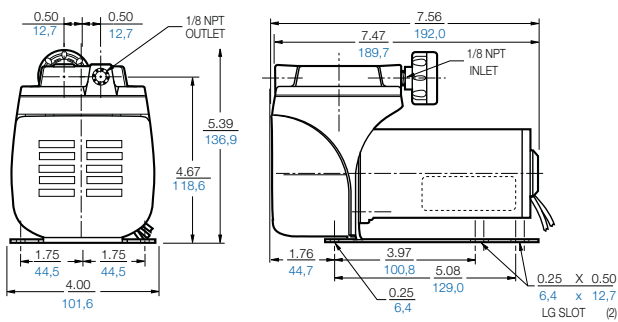
22D1180-201-1002

22D1180-201-1005

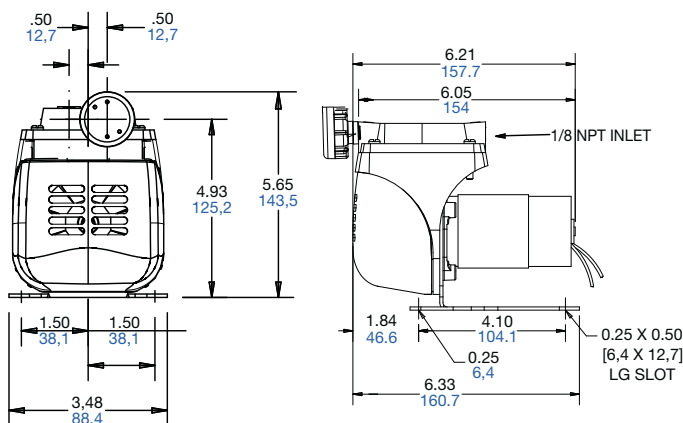
*22D1180-205-1002

*22D1180-202-1005

*Ports in opposite positions to the below diagrams



22D1180-201-1088



Shown with attached filter/muffler

12V & 24V units have the shorter 3.97" mtg foot dimension.
24V units also have the longer 5.08" mtg foot dimension.

Product Specifications

Model Number	Motor	RPM	Running Amps	HP	kW	lbs	kg
22D1180-201-1088	12V DC	3000	3.6	1/20	0,04	2.7	1,22
22D1180-201-1002	12V DC	3200	6.2	1/8	0,09	4.9	2,21
22D1180-201-1005	24V DC	3200	3.5	1/8	0,09	4.9	2,21
*22D1180-205-1002	12V DC	3200	6.2	1/8	0,09	4.9	2,21
*22D1180-202-1005	24V DC	3200	3.5	1/8	0,09	4.9	2,21

* Ports in opposite positions to the diagrams on the previous page.

Product Performance

