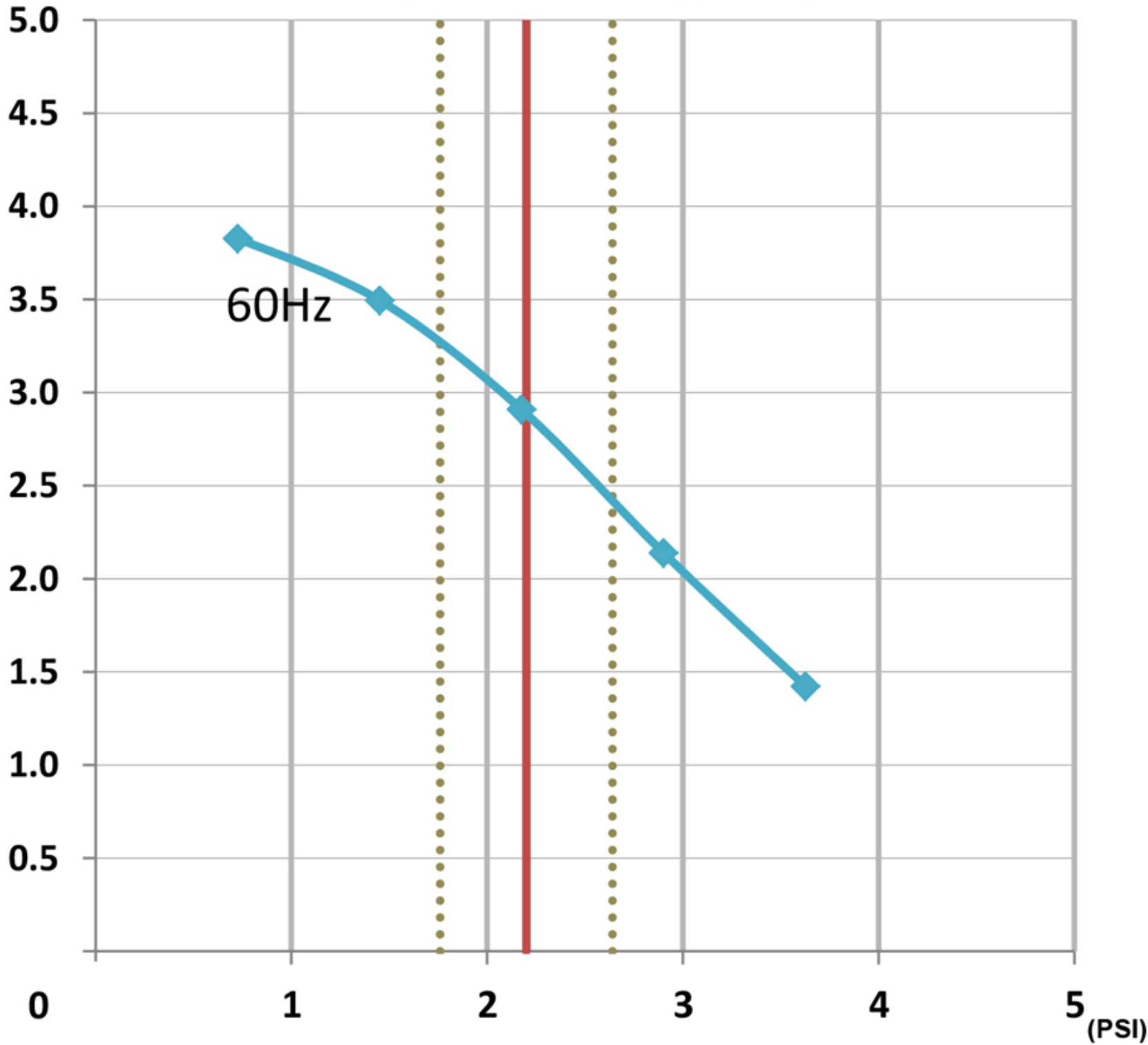
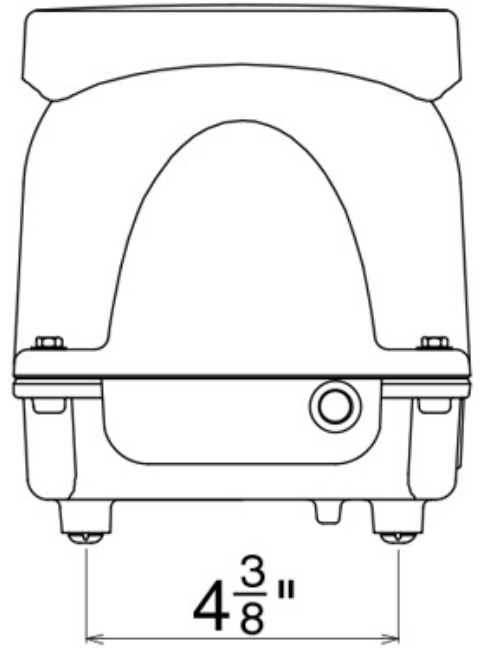
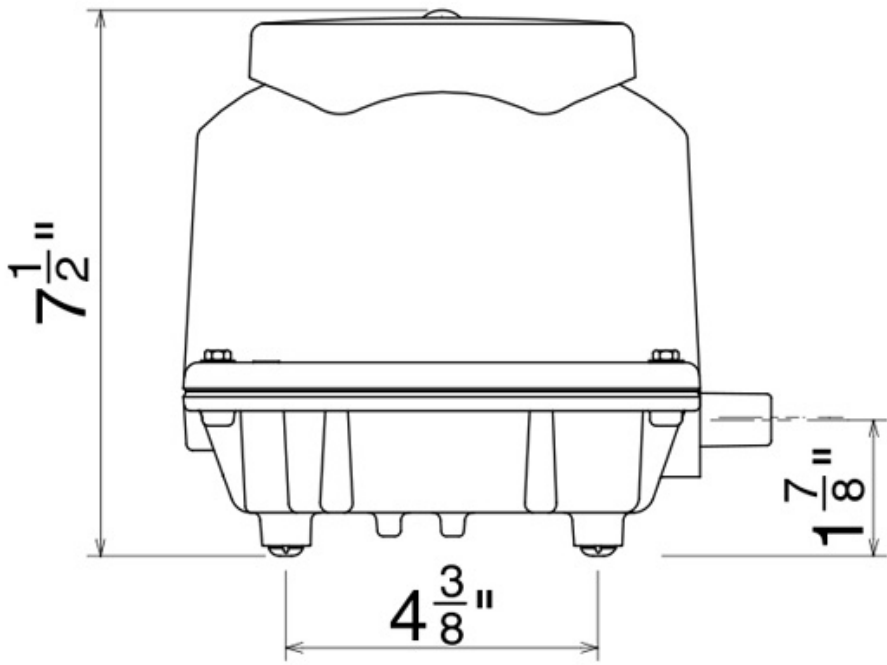
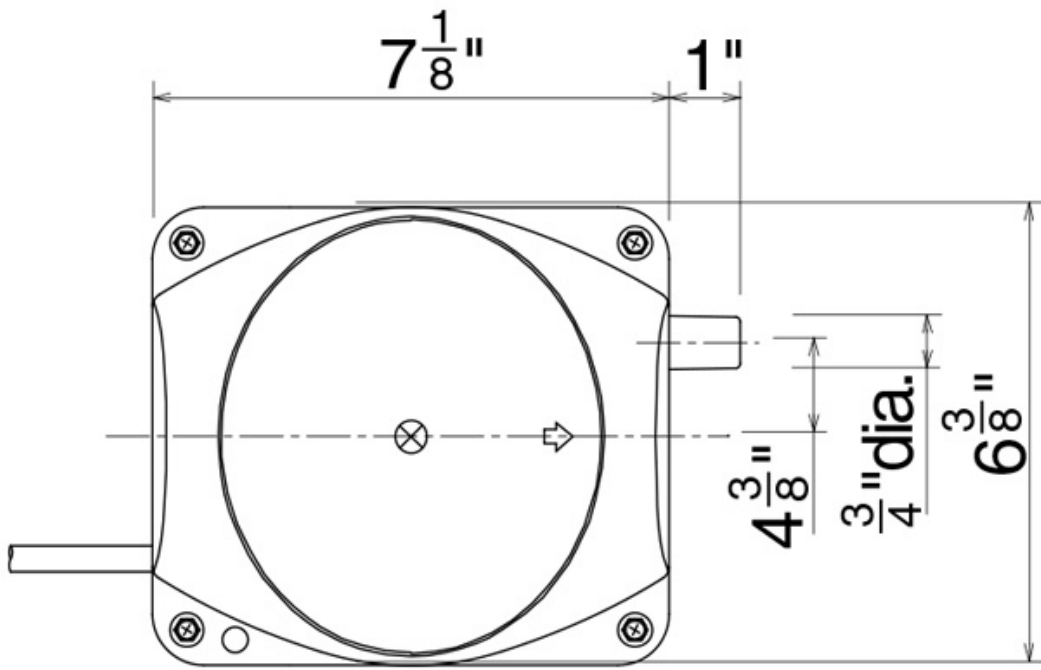


(CFM)

— Normal pressure ••• Suggested pressure





Exploded View and Parts List

Attention:

For MAC60R11 & 80R11 attach the oscillator so that the 80 mark is in an upward direction

