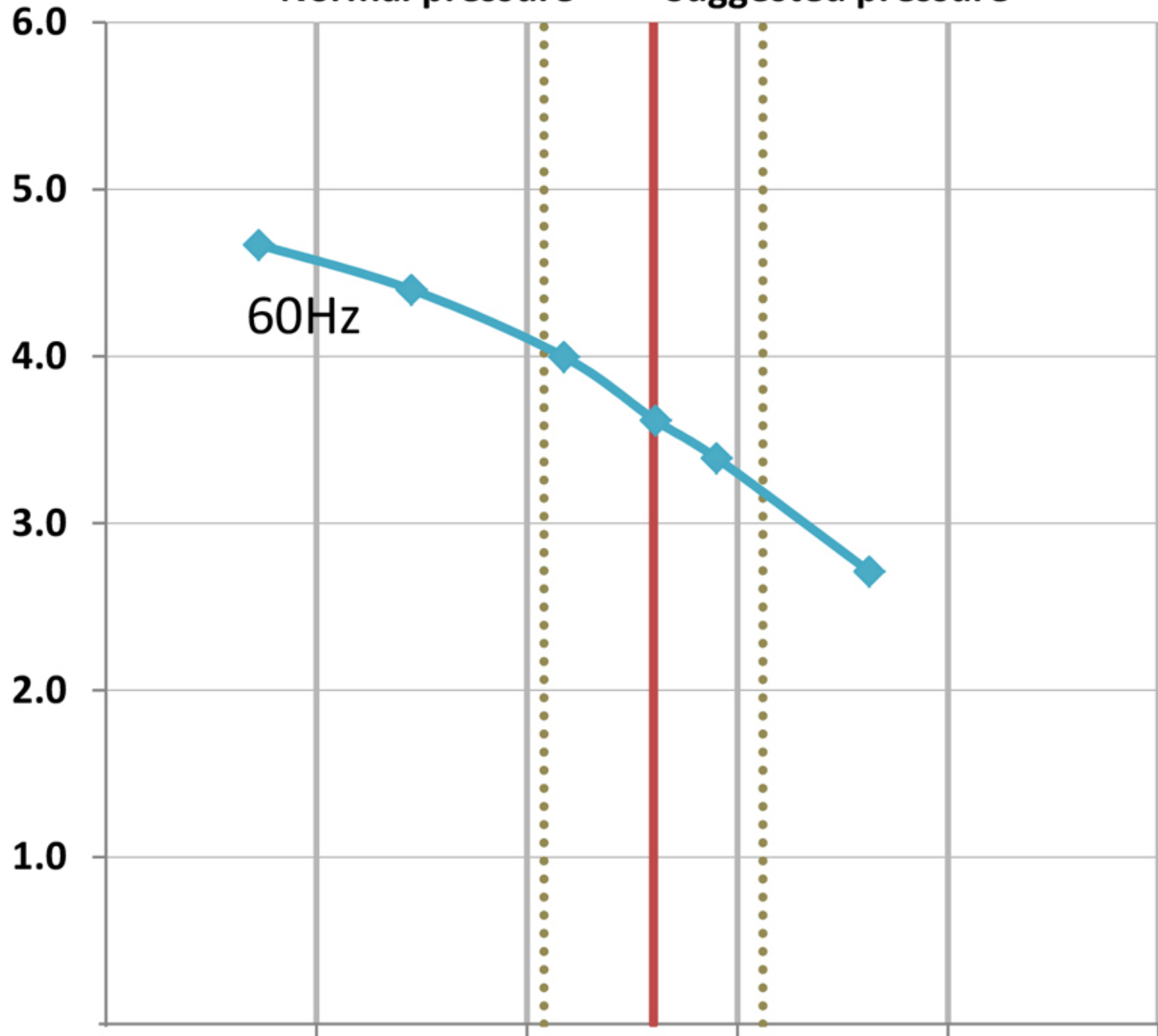


(CFM)

— Normal pressure    ••• Suggested pressure



60Hz

0

1

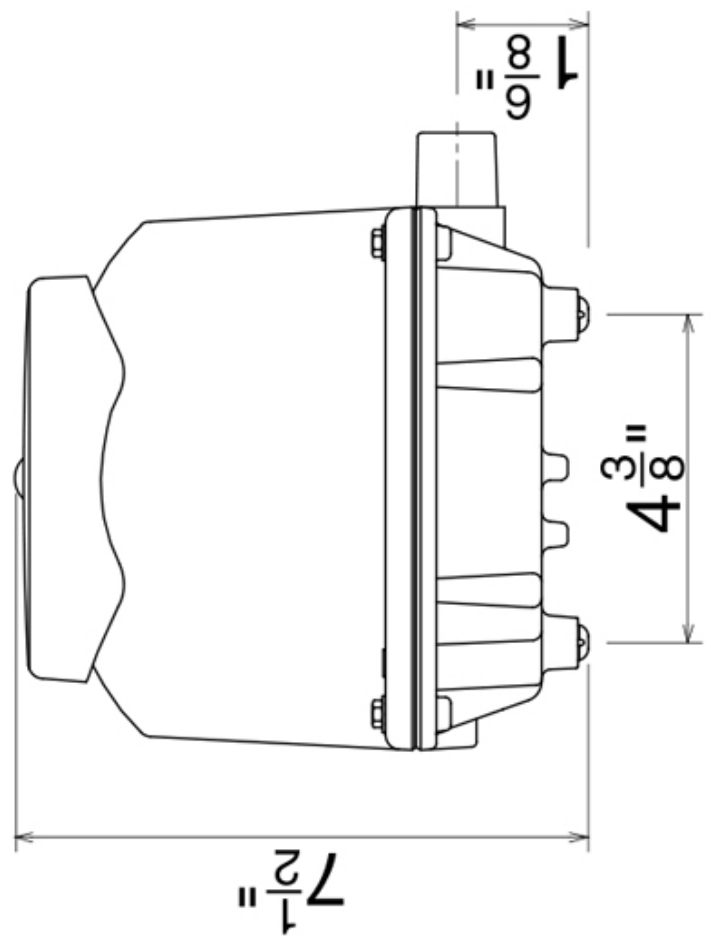
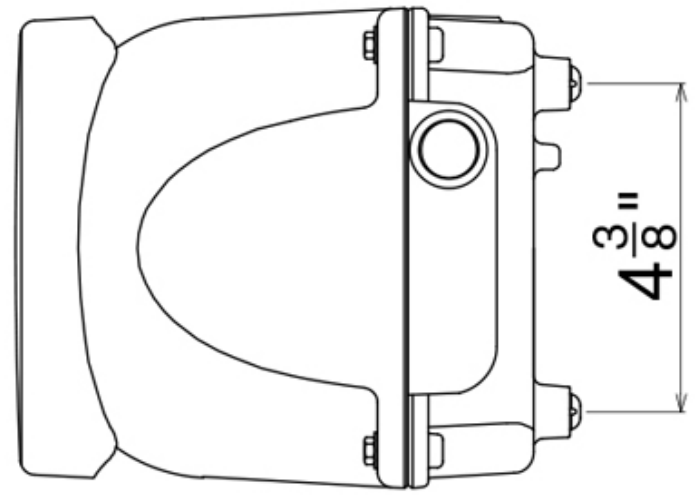
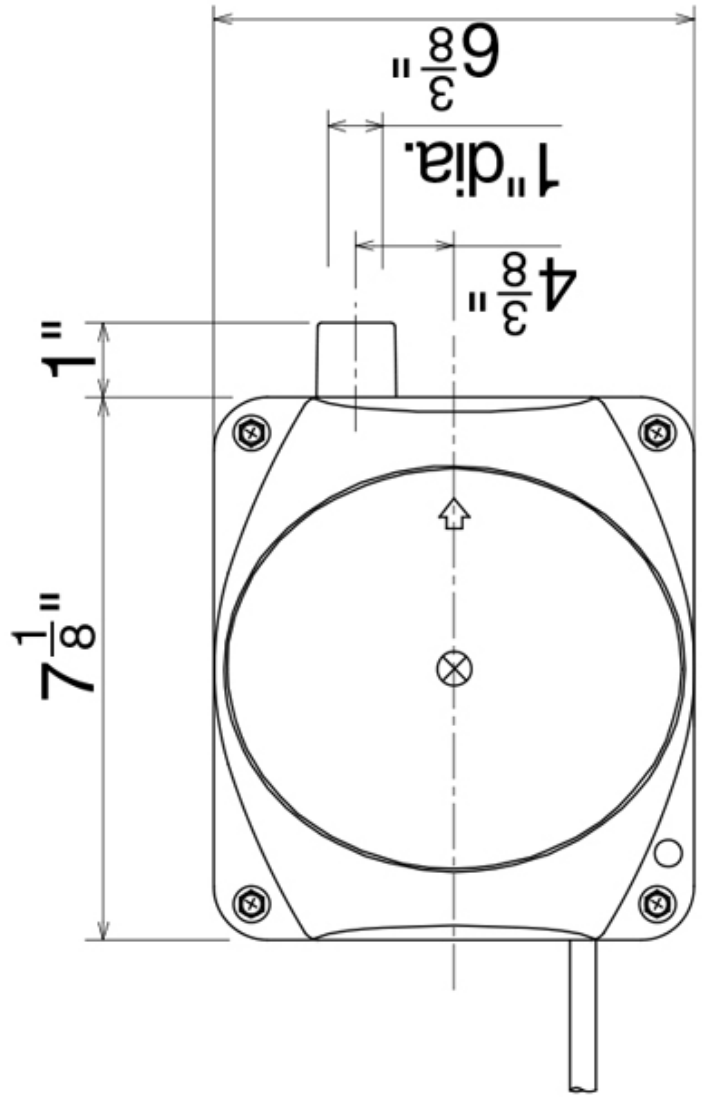
2

3

4

5

(PSI)



# Exploded View and Parts List

Attention:

For MAC100RII & 120RII attach the oscillator so that the triangle mark is in an upward direction

